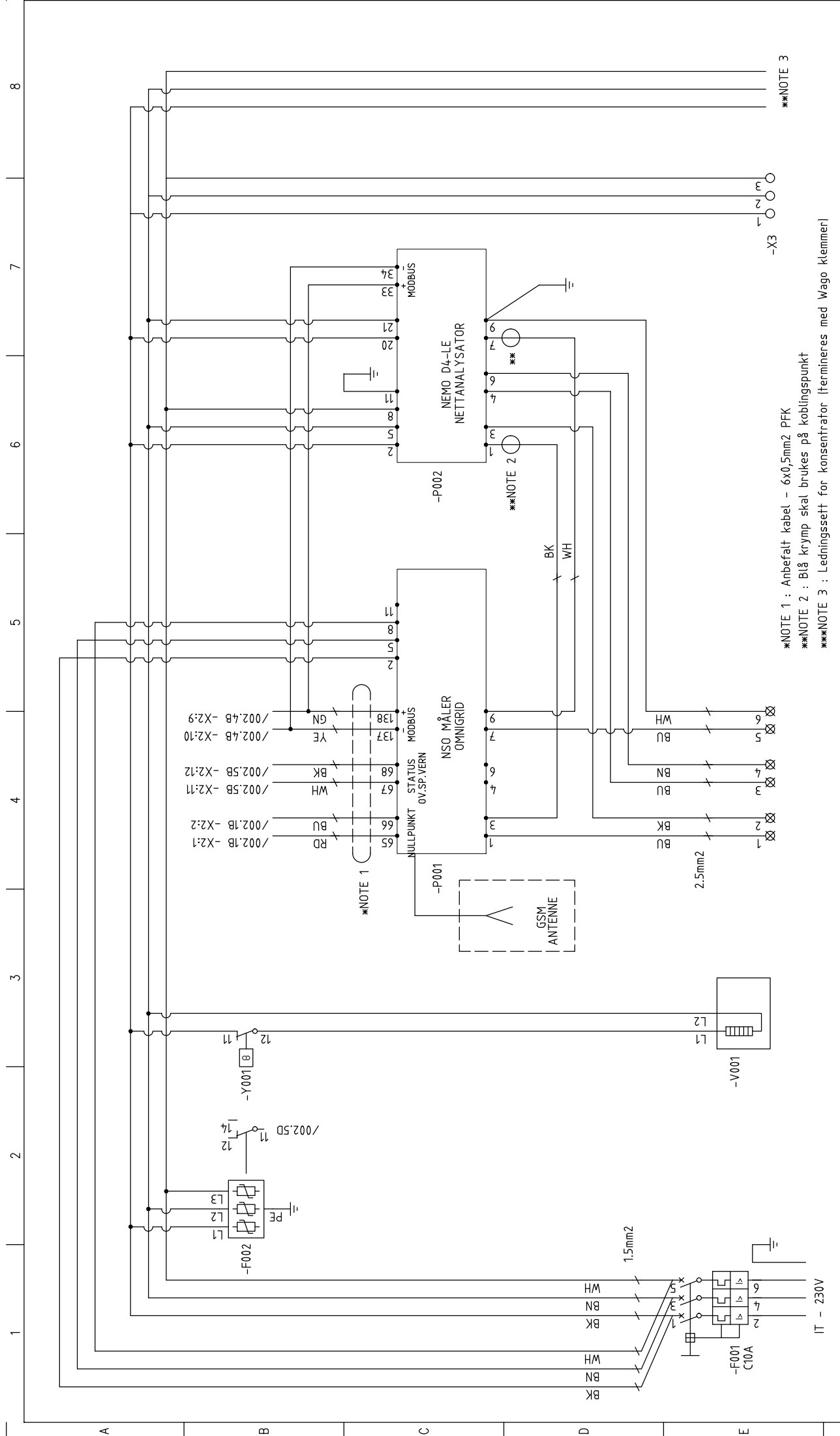




# VEDLEGG C

# KOBLINGSSKJEMA

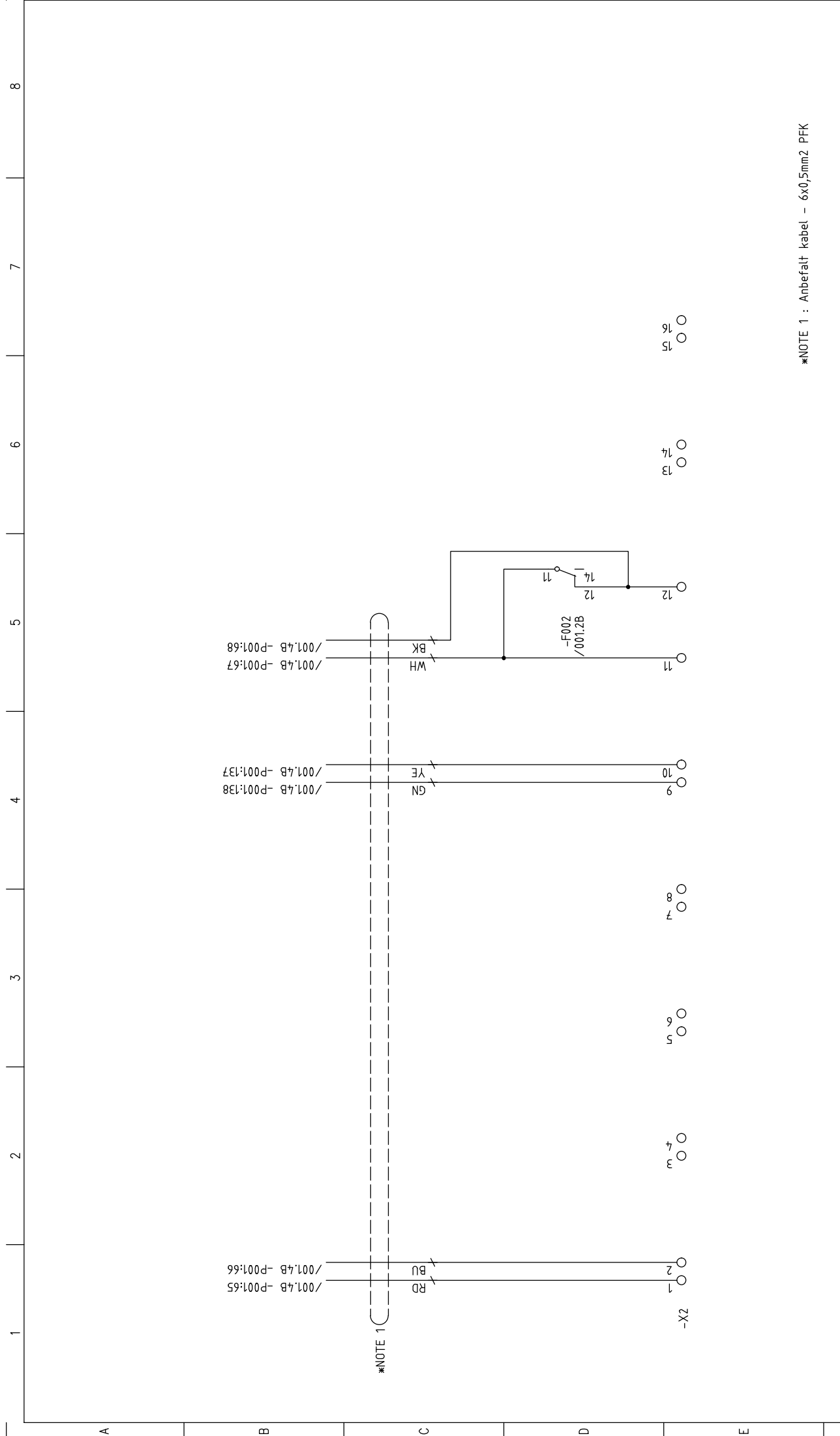
**NSO-22-100300**  
**av 12.09.2022**



HOVEDBRYTER		OVERSPENNINGSVERN		HEATER 75W		NSO MÅLER OMNIGRID		NETTANALYSATOR		230V FORSYNING	
Norgesnett AS		NSO Skap for IT Nett		230V, IT, 3Pol		Location Code:		Sheet: 1		Total Sheets: Rev: 2 0.1	
IT - 230V		MABR		GH		OIM		Installation Code:		Projectnumber: NSO, IT, 230V, 3 Pol	
0.1 For bygging		MABR		GH		OIM		Date: 02.09.2022		Drawn: MABR	
Rev. Description		Drawn		Checked		Approved		Date		Appr: OIM	



\*\*NOTE 1 : Anbefalt kabel - 6x0,5mm2 PFK  
 \*\*NOTE 2 : Blå krymp skal brukes på koblingspunkt  
 \*\*\*NOTE 3 : Ledningssett for konsentrator (termineres med Wago klemmer)



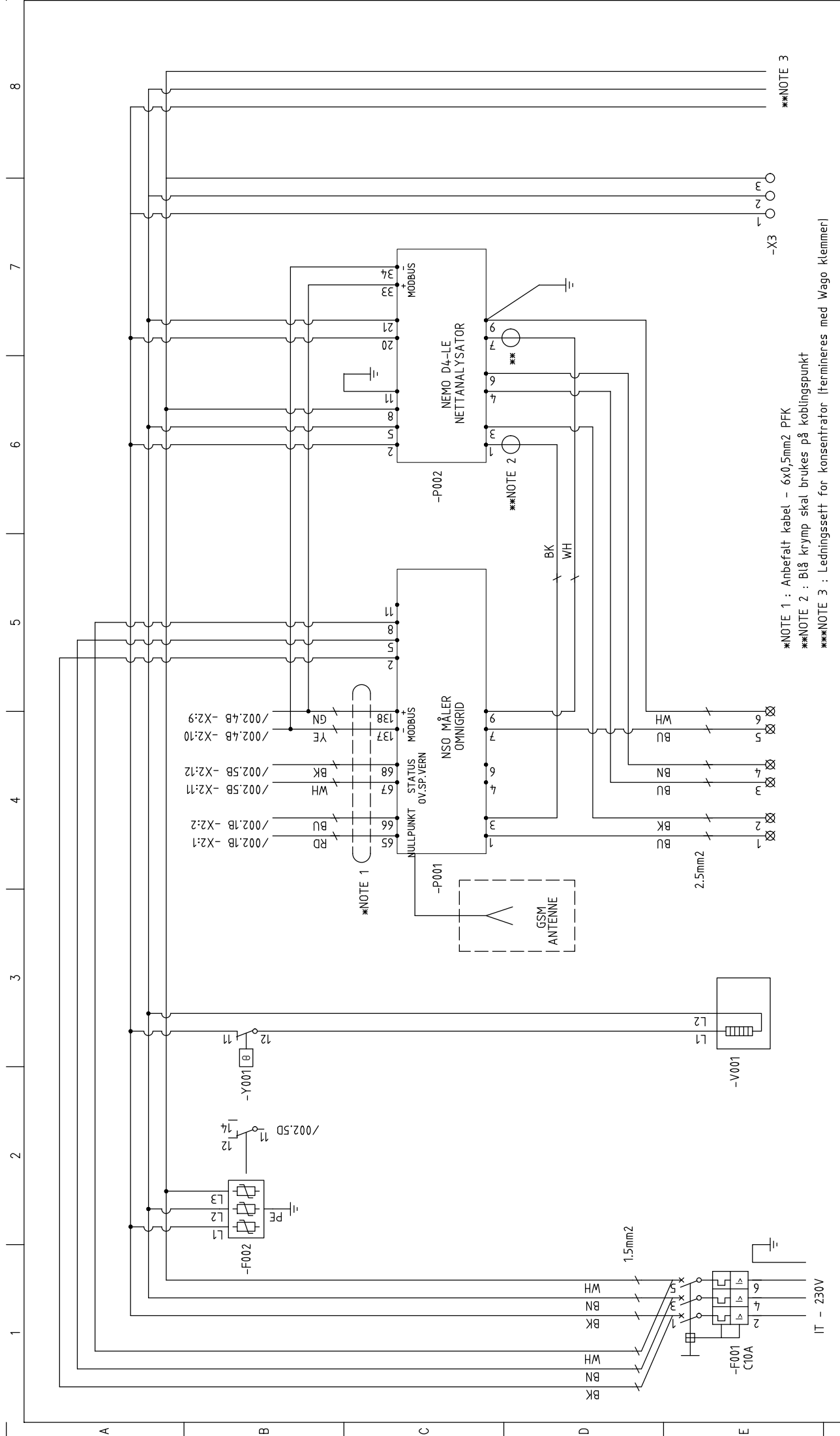
\*NOTE 1 : Anbefalt kabel – 6x0,5mm2 PFK

F	SIGNAL NULLPUNKT	RESERVE	RESERVE	RESERVE	MODBUS NEMO + NSO MÄLER	STATUS OVERSPENNINGSVERN	RESERVE	RESERVE		
					Norgesnett AS NSO Skap for IT Nett 230V, IT, 3Pol					
								Location Code:		
								Installation Code:		
0.1	For bygging	MABR	GH	OIM	02.09.2022			Sheet: 2	Total Sheets: 2	Rev: 0.1
Rev.	Description	Drawn	Checked	Approved	Date			Projectnumber: NSO, IT, 230V, 3 Pol		
						Date: 02.09.2022	Drawn: MABR	Appr: OIM		



1 2 3 4 5 6 7 8

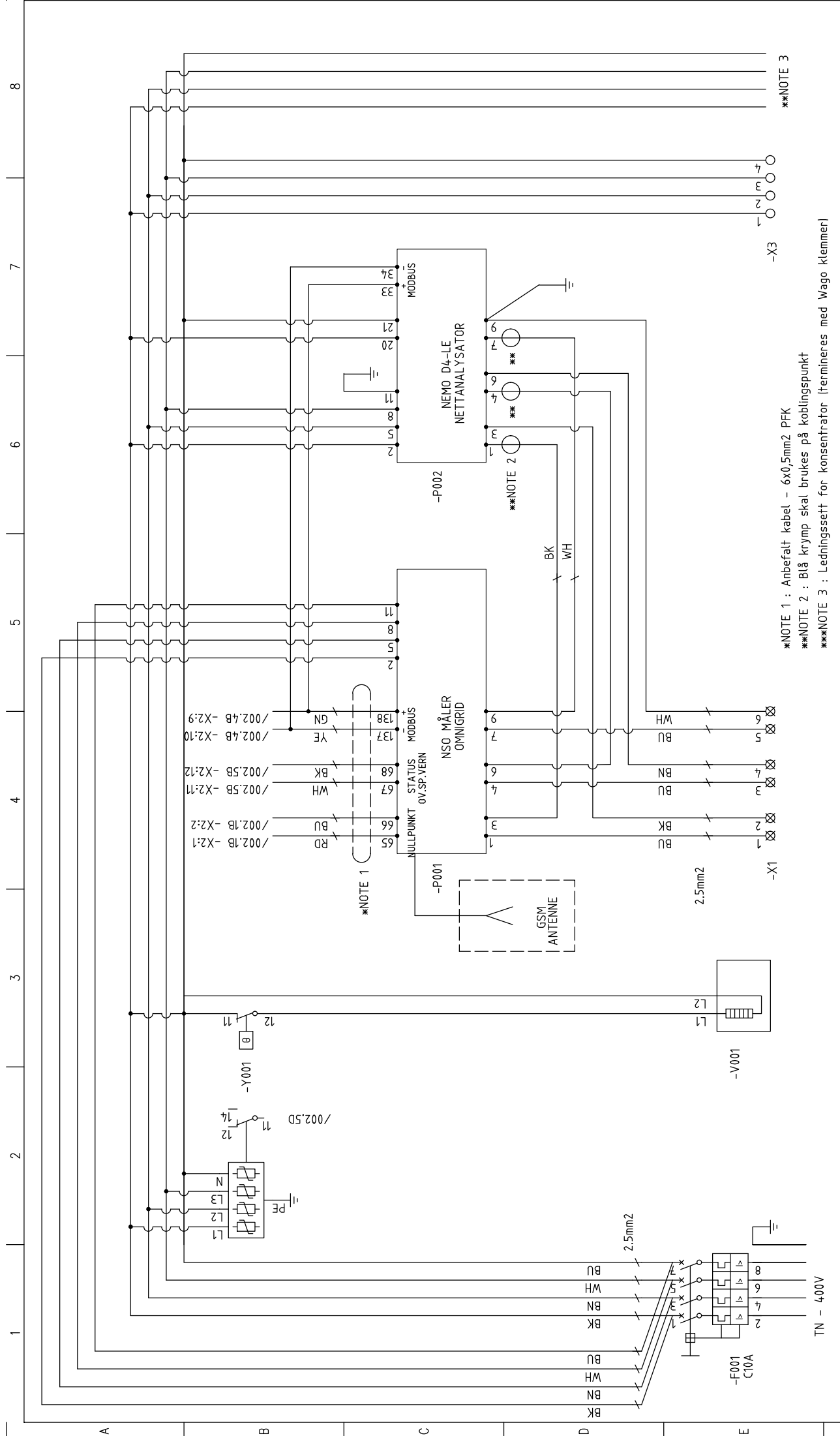
A B C D E




\*\*NOTE 1 : Anbefalt kabel - 6x0,5mm2 PFK  
 \*\*NOTE 2 : Blå krymp skal brukes på koblingspunkt  
 \*\*\*NOTE 3 : Ledningssett for konsentrator (termineres med Wago klemmer)

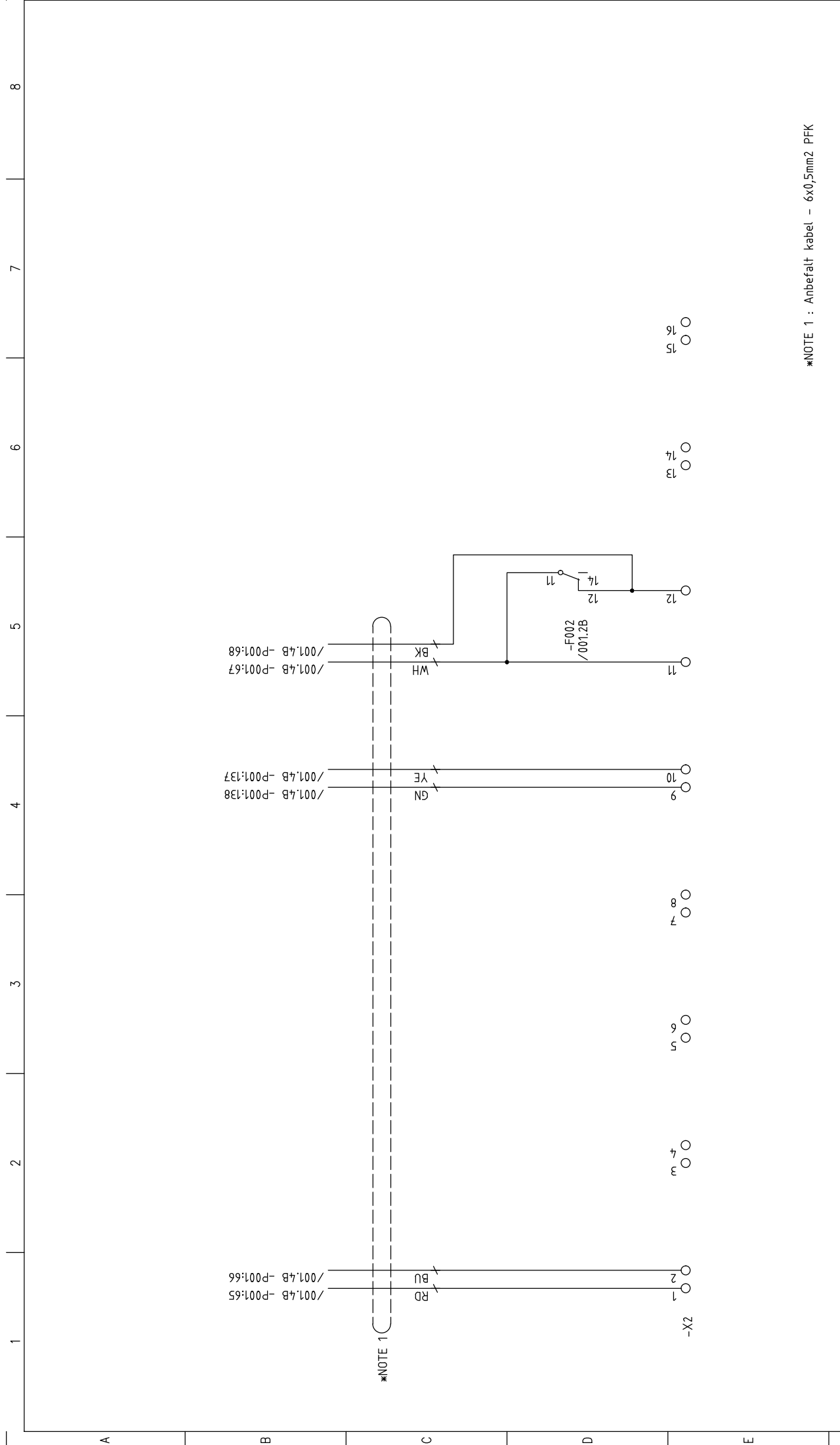
HOVEDBRYTER		OVERSPENNINGSVERN		HEATER 75W		NSO MÅLER OMNIGRID		NETTANALYSATOR		230V FORSYNING		KONSENTRATOR	
Norgesnett AS		NSO Skap for TT Nett		230V, TT, 3 pol		Elaris		ELEKTROTVYLER		www.elaris.no		Location Code:	
Rev. 0.1		For bygging		GH		MABR		OIM		12.09.2022		Date	
Description		Drawn		Checked		Approved		Date		Sheet: 1		Total Sheets: Rev: 2 0.1	
										Projectnumber:		NSO, TT, 230V, 3 pol	
										Appr: OIM			





\*\*NOTE 1 : Anbefalt kabel – 6x0,5mm<sup>2</sup> PFK  
 \*\*NOTE 2 : Blå krymp skal brukes på koblingspunkt  
 \*\*\*NOTE 3 : Ledningssett for konsentrator (termineres med Wago klemmer)

HOVEDBRYTER OVERSPENNINGSVERN		HEATER 75W		NSO MÅLER OMNIGRID		NETTANALYSATOR		400V FORSYNING		KONSENTRATOR	
Norgesnett AS		NSO Skap for TN Nett		400V, TN, 4 pol		 ELARIS ELEKTROTVYLER www.elaris.no		Location Code:		Sheet: 1	
Rev. 0.1 For bygging Description		GH		MABR		OIM		Approved		Total Sheets: Rev: 2 0.1	
Date: 12.09.2022		Date		Date		Date		Date		Projectnumber: NSO, TN, 400V, 4 Pol	
Drawn		Checked		Approved		Approved		Approved		Appr: OIM	



\*NOTE 1 : Anbefalt kabel – 6x0,5mm2 PFK

SIGNAL NULLPUNKT		RESERVE	RESERVE	RESERVE	MODBUS NEMO + NSO MÅLER	STATUS OVERSPENNINGSVERN	RESERVE	RESERVE	RESERVE
Norgesnett AS NSO Skap for TN Nett 400V, TN, 4 pol									
0.1	For bygging	GH	MABR	OIM	12.09.2022				
Rev.	Description	Drawn	Checked	Approved	Date				
Location Code:		Sheet:	Total Sheets:		Rev:				
Installation Code:		2	2		0.1				
Projectnumber:		NSO, TN, 400V, 4 Pol							
Date: 12.09.2022		Drawn: GH		Appr: OIM					

